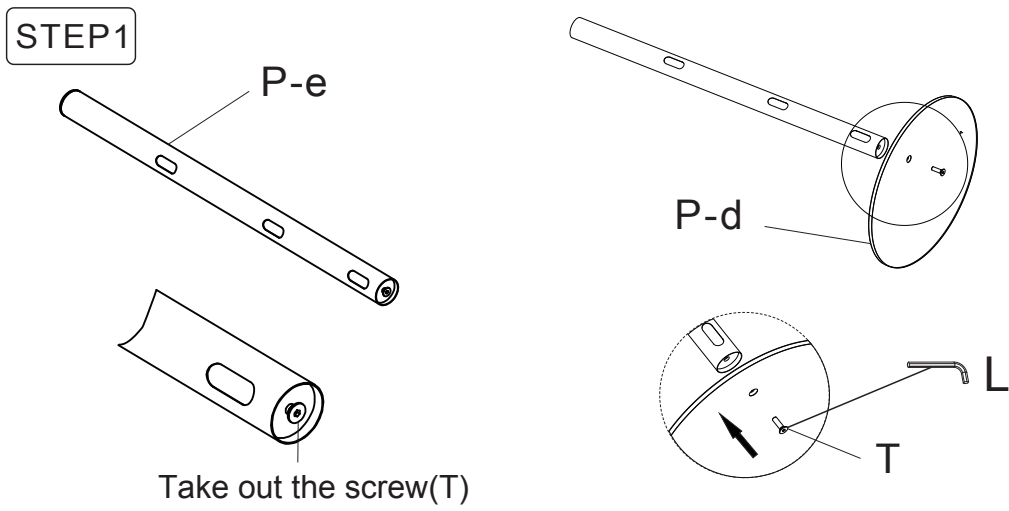
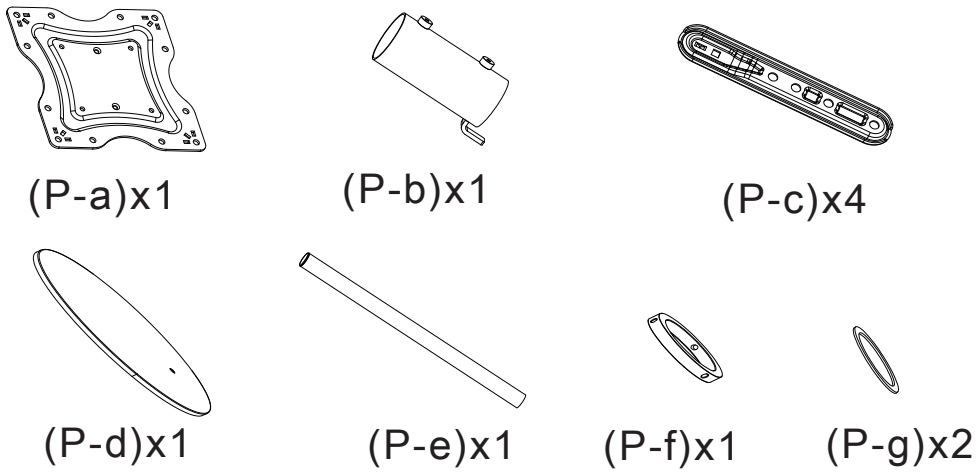
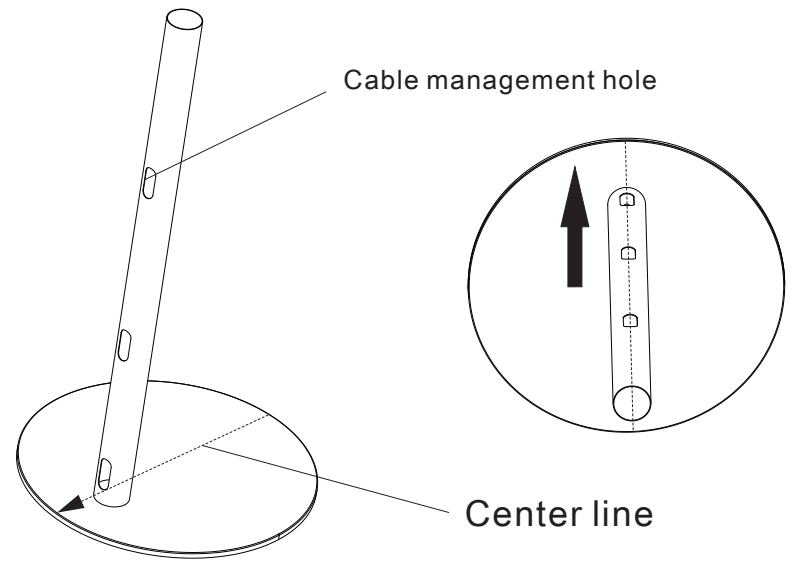
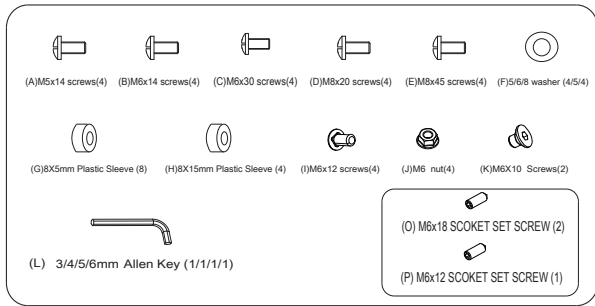
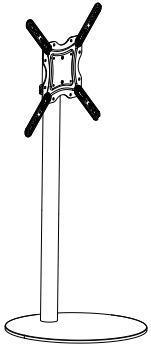
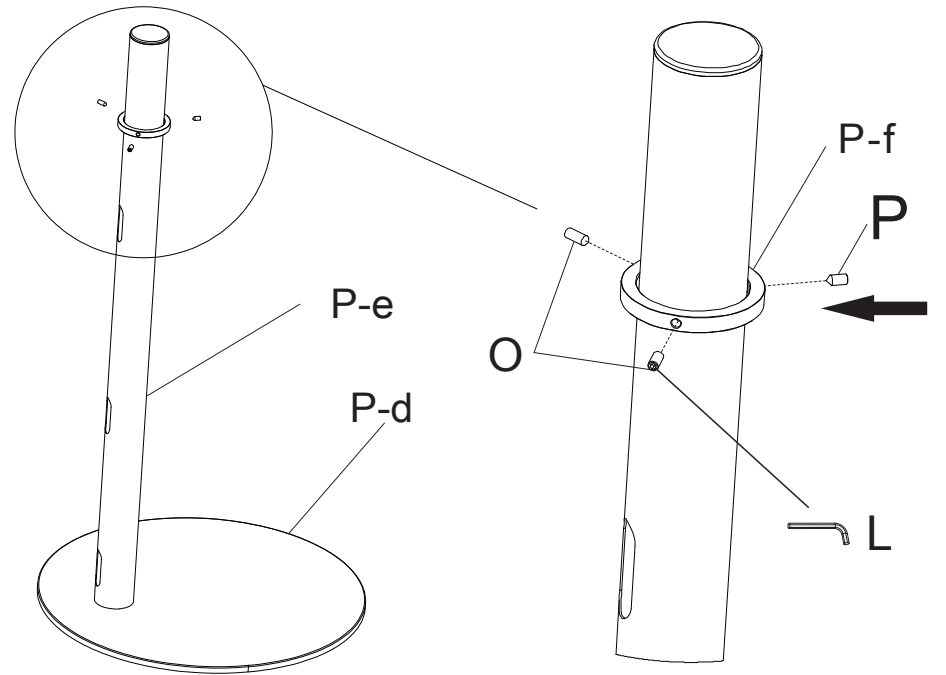


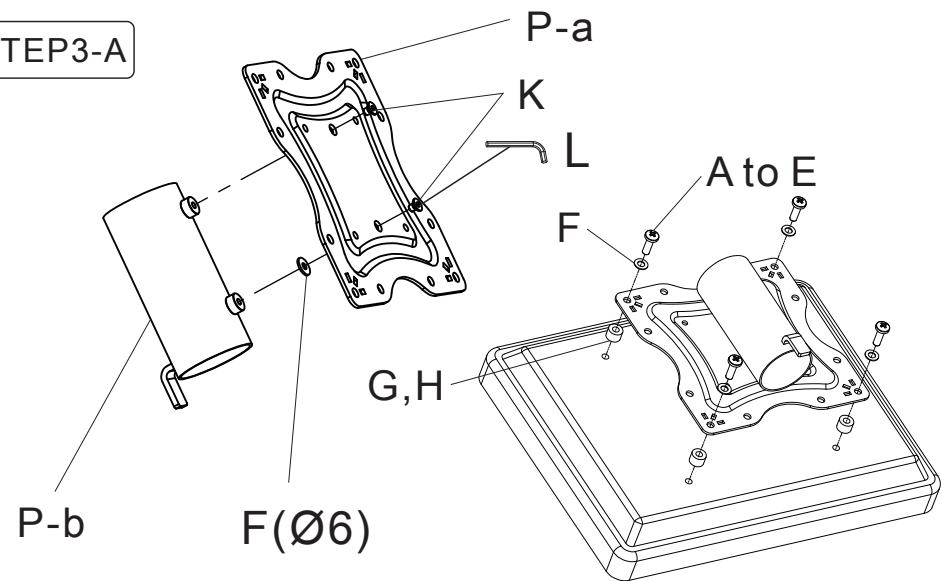
# SWB7160 INSTALLATION INSTRUCTION



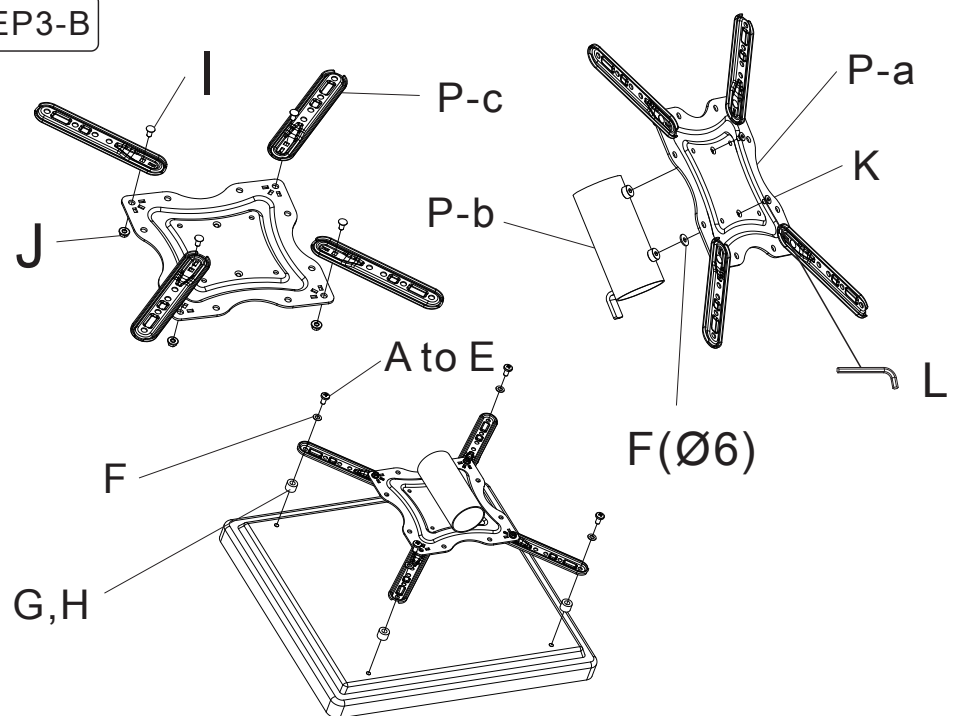
## STEP 2



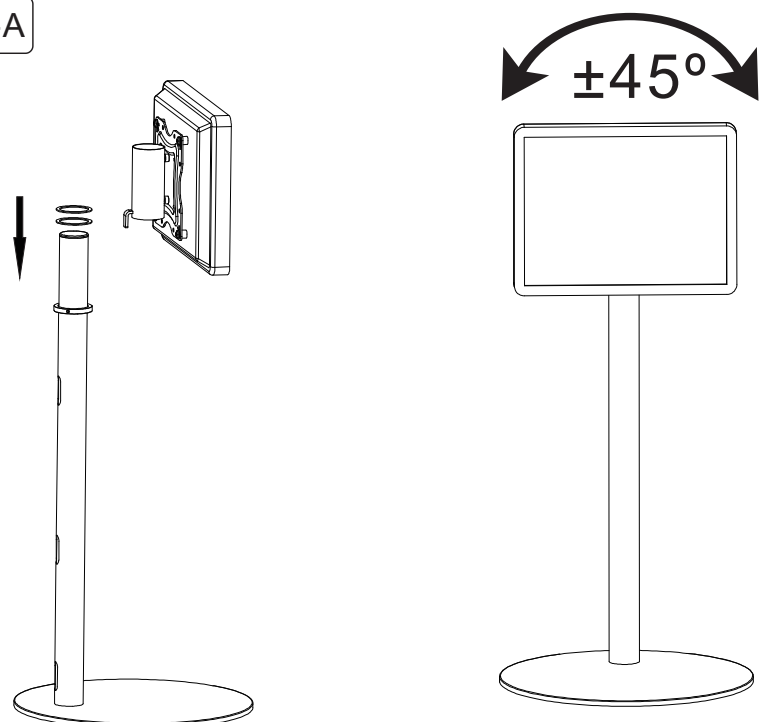
## STEP 3-A



## STEP 3-B



## STEP 4-A



## STEP 4-B

