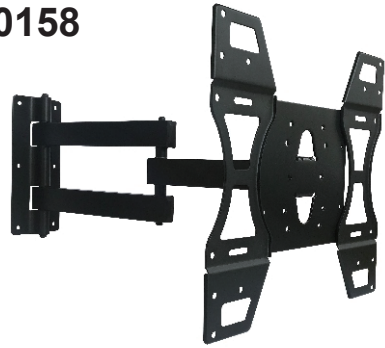


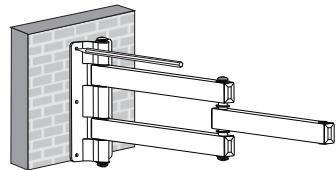
# Manual Instructions SOB0158

 50kg/110lbs    Swivel 180°

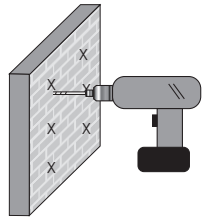
Can be assembled with SOB0158 to fit  
LCD/PLASMA TV. Ready for use with:  
VESA 100 / VESA 200 / VESA 200X100 /  
VESA 300 / VESA 400 / VESA 400X200 /  
VESA 400X300



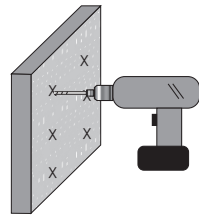
1



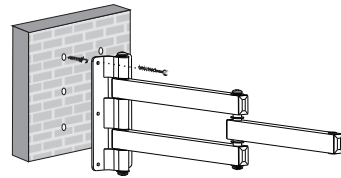
2a CONCRETE



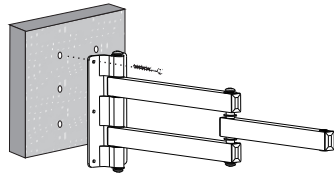
2b WOODEN BOARD



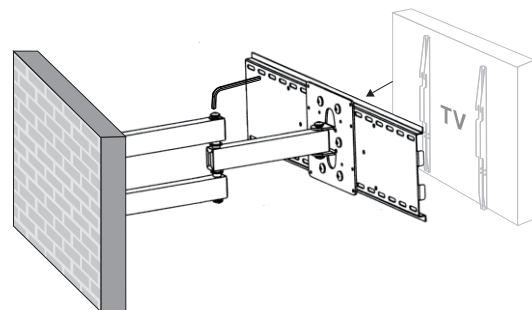
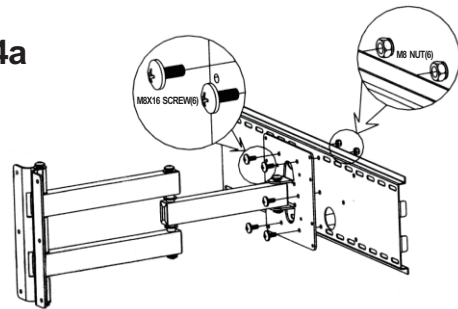
3a



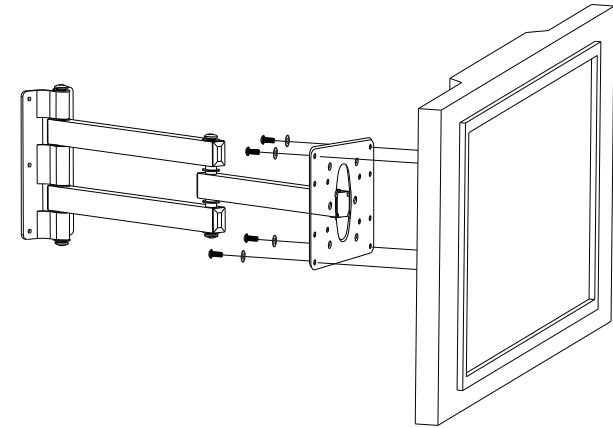
3b



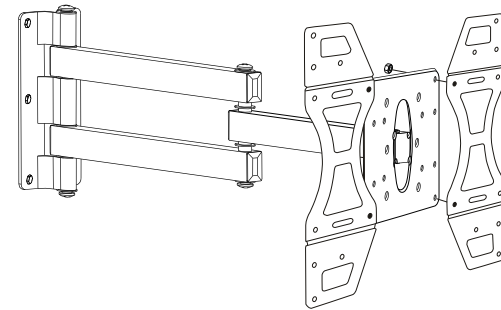
4a



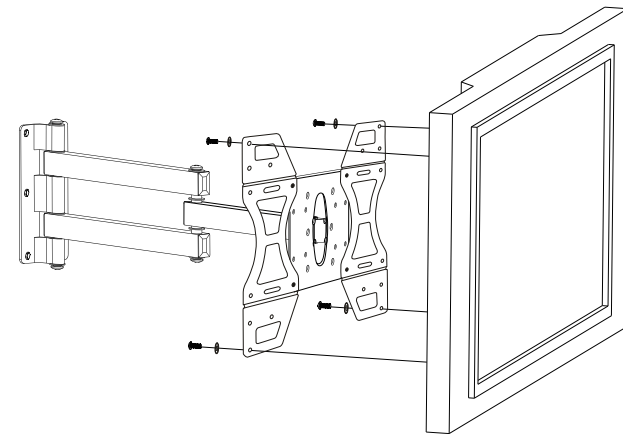
4b



4c-1



4c-2



**SINOXone**

Sinox Europe A/S / Troensevej 11. DK-9220 Aalborg / [www.sinox-europe.com](http://www.sinox-europe.com)