

SINOXone

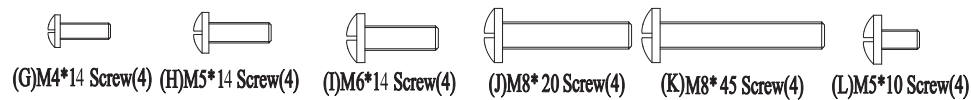
Instructions of SOB0115 Wall Fixed Installation for Panel TV

1. Technical parameter

Size of flat panel TV: 23"-55"; Maximum load: 50 kg ;
Distance from wall: 20mm .

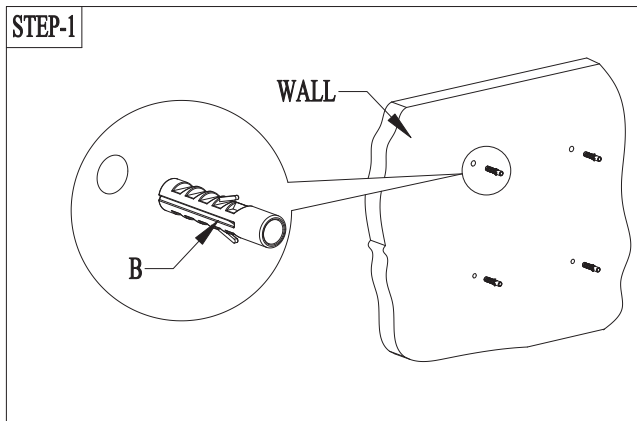
2. Part List

Please check the parts in the package in comparison with the following list. Make sure all of the parts are in the package. Never use defective parts. Never replace part with different specification.



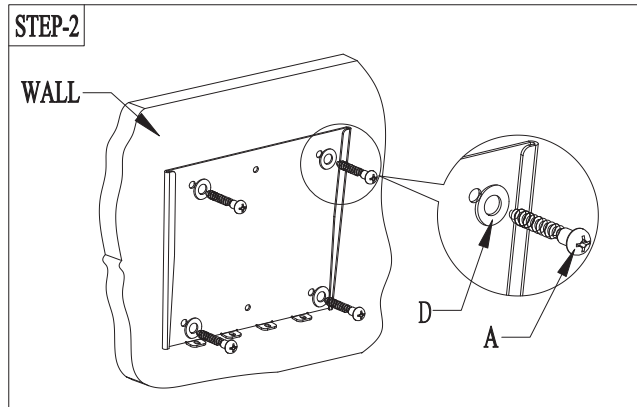
3. Installation and operation instructions

STEP-1



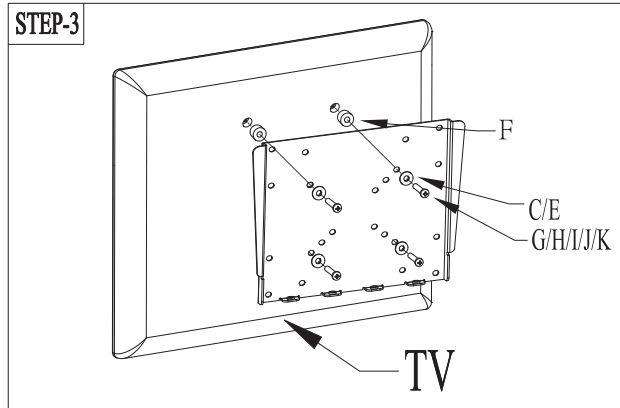
Step 1:
Use the wall dead plate as a templet to drill four holes of Ø8mm diameter and 50mm depth. The center distance of these holes is as the outboard four holes in the wall dead plate. The four holes should be symmetrical in horizontal and vertical directions. Insert four plastic concrete anchors into the holes.

STEP-2



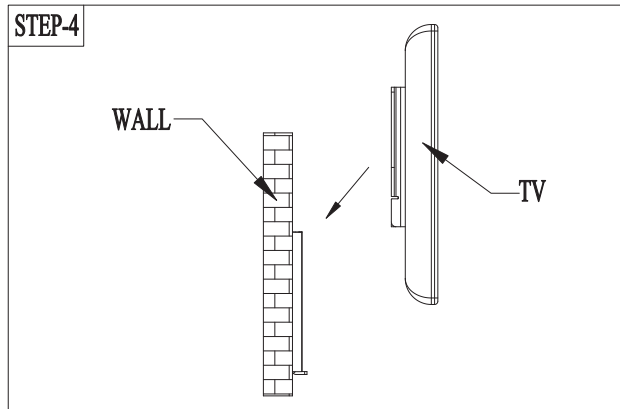
Step 2:
Screw four lag bolts into the plastic concrete anchors through washer and the wall dead plate to make the dead plate and vertical wall into a whole.

STEP-3



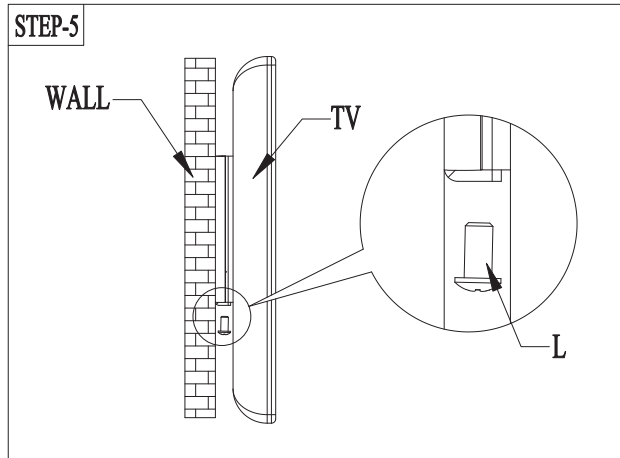
Step 3:
Select the installation place for the TV fixed plate and the suitable screws according to the thread holes at the back of TV. Screw four suitable screws to the thread holes at the TV back through the corresponding holes in TV fixed plate. And the screws should be screwed down. The TV fixed plate should be installed symmetrically and evenly on the TV back.

STEP-4



Step 4:
Insert the flanges of the TV fixed plate in connection with the flat panel TV into the slots inboard of the wall dead plate. Don't loosen your hands until installed firmly.

STEP-5



Step 5:
Screw two screws into the thread holes underside of the TV fixed plate through the wall dead plate and screw up to make the wall plate and TV plate in a whole.