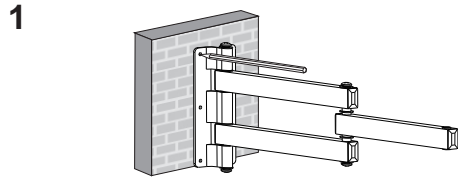
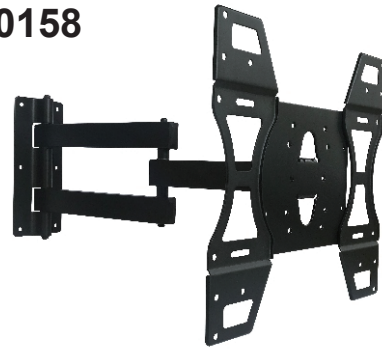


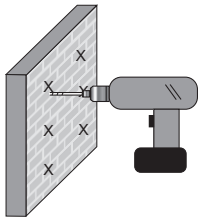
# Manual Instructions SOB0158

MAX 50kg/110lbs Swivel 180°

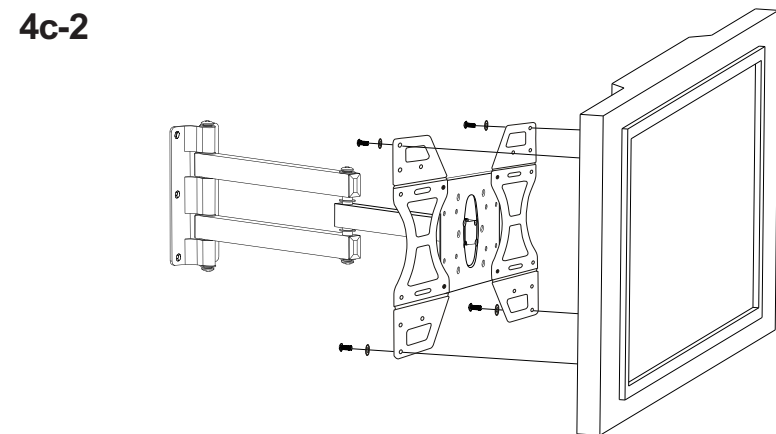
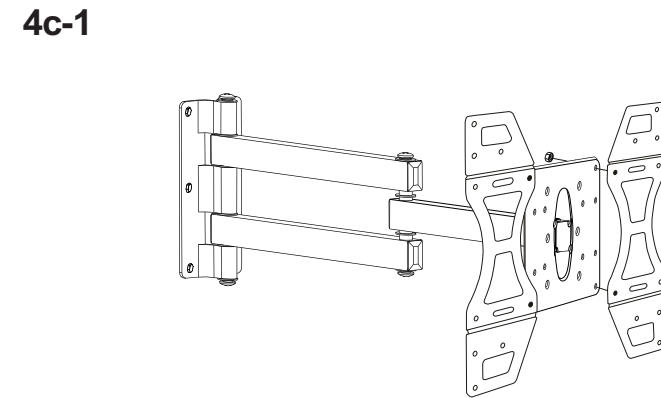
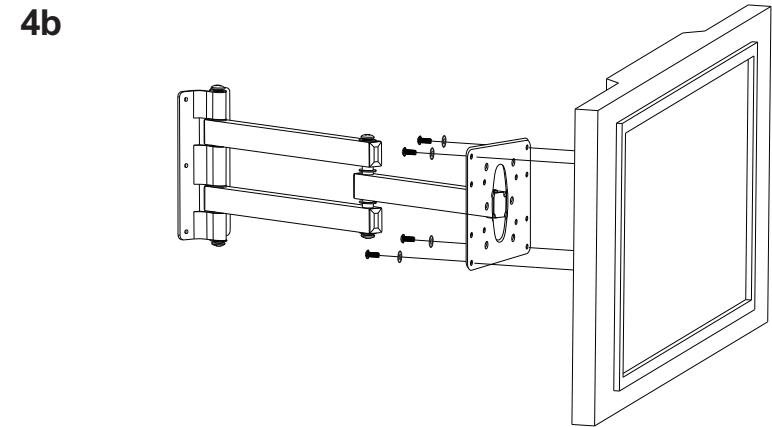
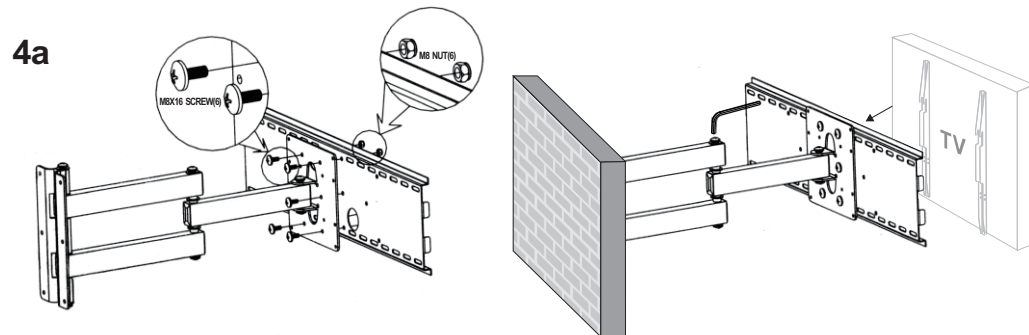
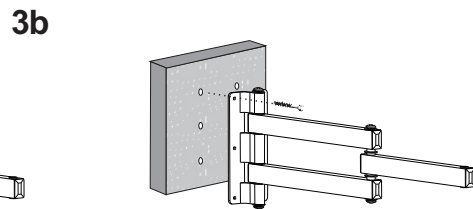
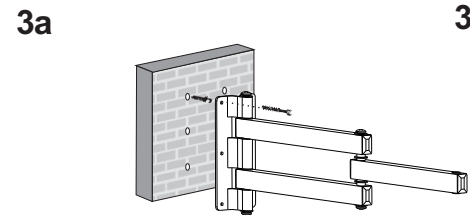
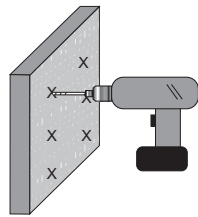
Can be assembled with SOB0158 to fit LCD/PLASMA TV. Ready for use with:  
VESA 100 / VESA 200 / VESA 200X100 /  
VESA 300 / VESA 400 / VESA 400X200 /  
VESA 400X300



2a CONCRETE



2b WOODEN BOARD



SINOXone

Sinox Europe A/S / Troensevej 11. DK-9220 Aalborg / [www.sinox-europe.com](http://www.sinox-europe.com)