
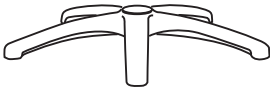

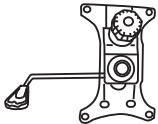
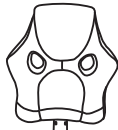









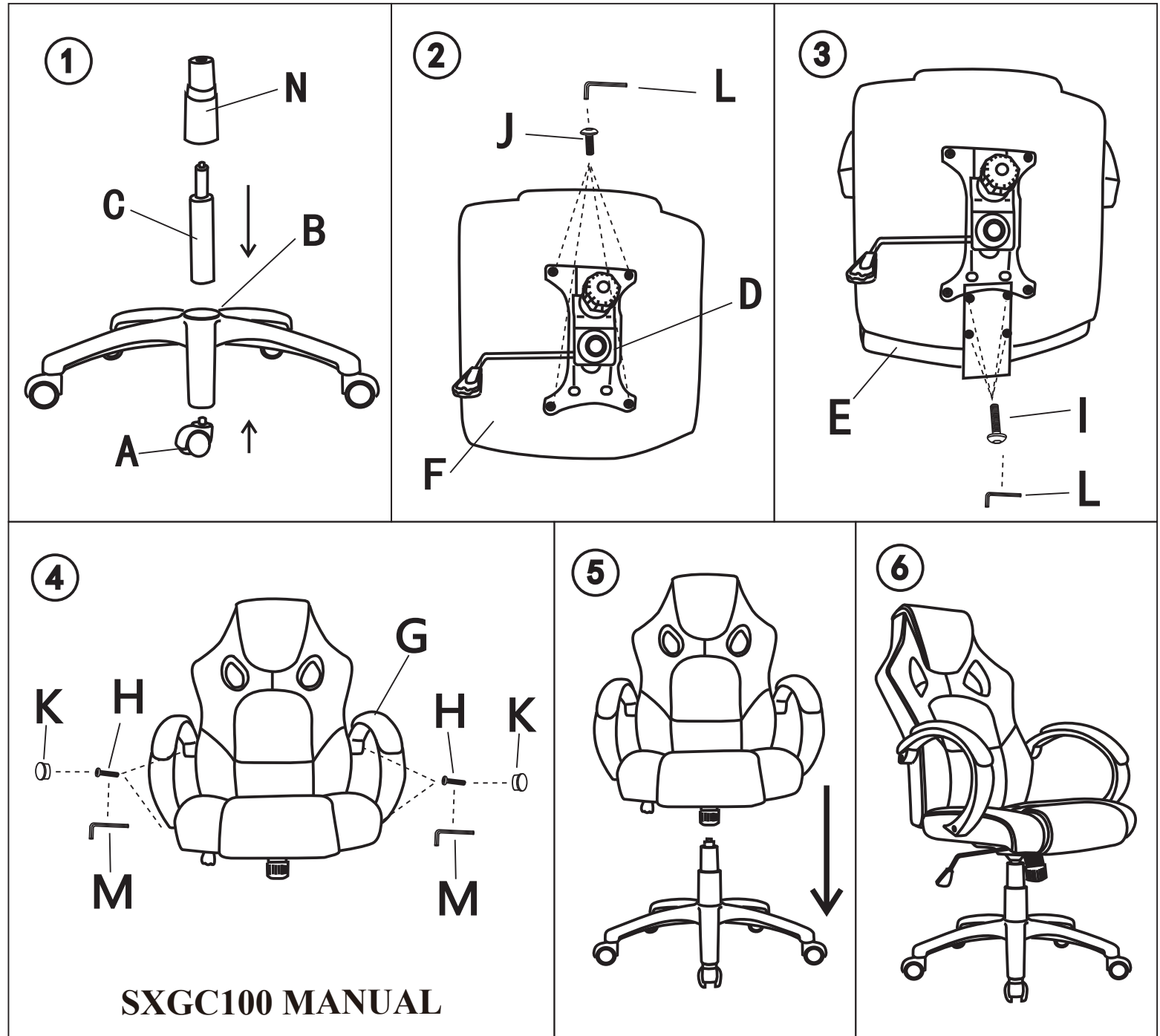




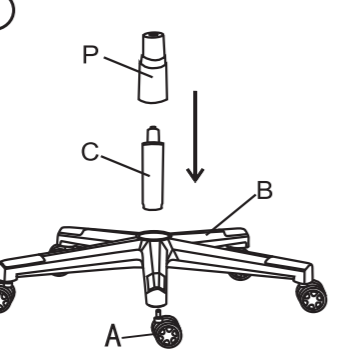
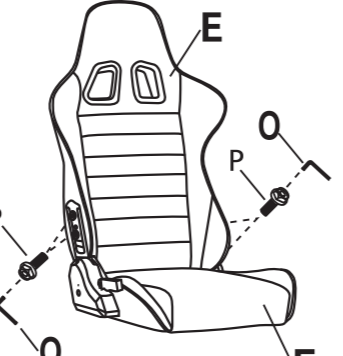
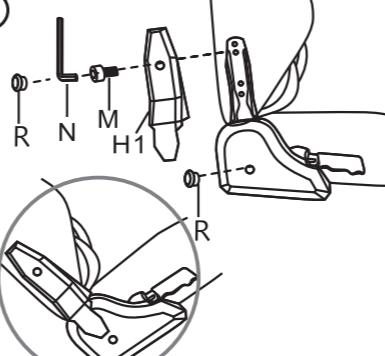




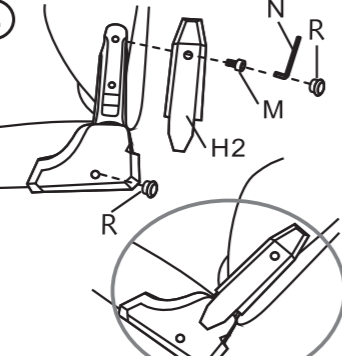
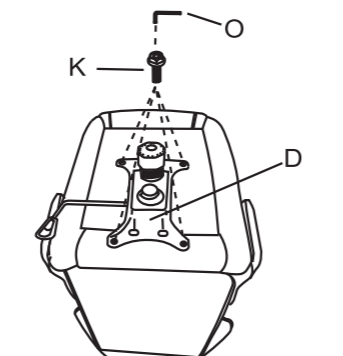
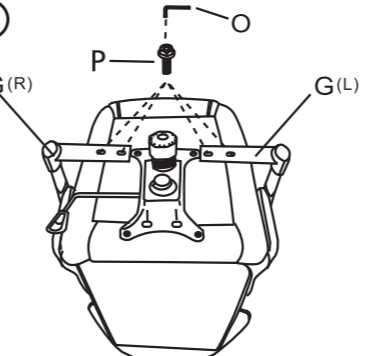




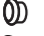








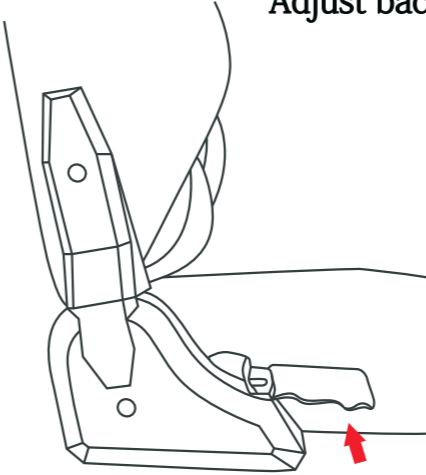


A		5
B		1
C		1
D		1
E		1
F		1
G		2
H	 M8*45mm	4
I	 M6*30mm	4
J	 M6*20mm	4
K		4
L		1
M		1
N		1





(A) Castors  X5	(B) Base 	(C) Gas Lift 	(D) Mechanism 	① 	② 	③ 
(E) Back 	(F) Seat 	(G) Armrest 	(H1) CAP 	④ 	⑤ 	⑥ 
(H2) CAP 	(I) Lumber Support 	(J) Headrest 	(P) 3 Cups Plastic Cover 	<p>(R)  4 PCS</p> <p>(P)  M8X25mm 8 PCS</p> <p>(K)  M8x20mm 4 PCS</p> <p>(M)  M5x10mm 2 PCS</p> <p>(N)  X1 M5</p> <p>(O)  X1 M8</p>		
<p>WARNING</p> <ul style="list-style-type: none"> Do not stand on this chair. Do not use this chair as step ladder. Use this product only for seating one person at a time. Do not use this chair unless all bolts, screws and knobs are firmly secured. At least every 4 months, check all bolts, screws and knobs to be sure they are tight. If parts are missing, broken, damaged or worn, stop use of the product until repairs are made, using factory authorized parts. Failure to follow these warnings could result in serious injury. 				⑦  Push firmly, make sure the seat match to gas lift well.	⑧ 	

Adjust back recliner

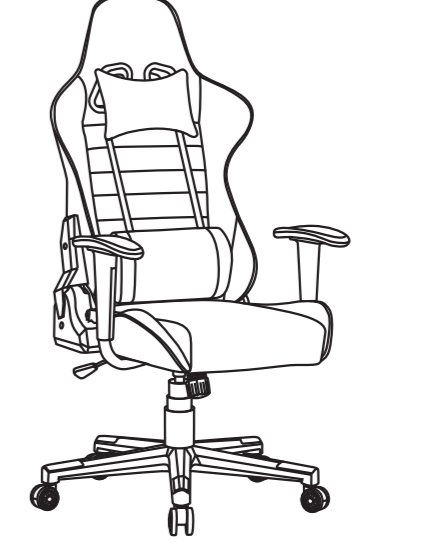


1. First, pull the recline lever up





2. Then, lean backwards on the seat back to achieve the desired angle



(A) Castors X5	(B) Base	(C) Gas Lift	(D) Mechanism	① 	② 	③
(E) Back	(F) Seat	(G) Armrest L R	(H1) CAP	④ 	⑤ 	⑥
(H2) CAP	(I) Lumber Support	(J) Headrest	(P) 3 Caps Plastic Cover	⑦ 	⑧ 	
<p>(R) 4 PCS</p> <p>(P) M8X25mm 12 PCS</p> <p>(K) M8x20mm 4 PCS</p> <p>(M) M5x10mm 2 PCS</p> <p>(N) X1 M5</p> <p>(O) X1 M8</p>				<p>WARNING</p> <ul style="list-style-type: none"> Do not stand on this chair. Do not use this chair as step ladder. Use this product only for seating one person at a time. Do not use this chair unless all bolts, screws and knobs are firmly secured. At least every 4 months, check all bolts, screws and knobs to be sure they are tight. If parts are missing, broken, damaged or worn, stop use of the product until repairs are made, using factory authorized parts. Failure to follow these warnings could result in serious injury. 		

Adjust armrest height

2. Then, lean backwards on the seat back to achieve the desired angle

Adjust back recliner

1. First, pull the recline lever up